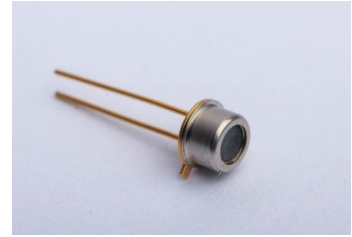


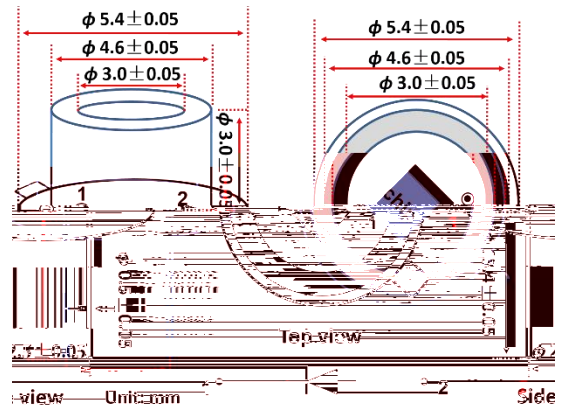
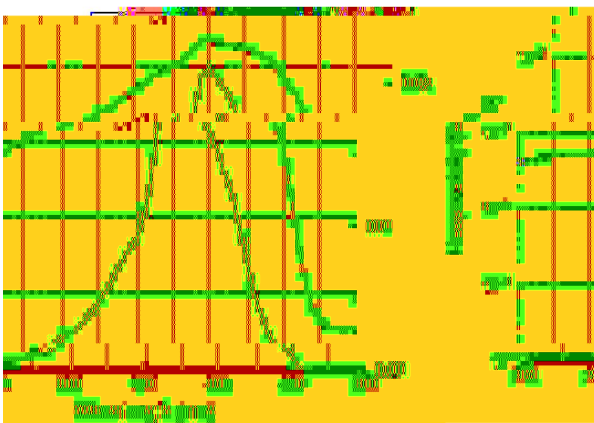


:

-
-
-
-

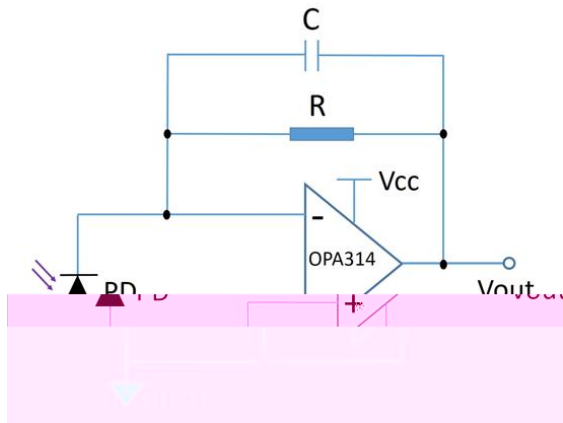


Green Header			





:



$$V_{out}(V) = I_{ph}(A) \times R(\Omega)$$

$$I_{ph}(A) = R_{\lambda}(A/W) \times A(\text{cm}^2) \times P(\text{W}/\text{cm}^2)$$

where A is chip area, Φ is UV power density and R_{λ} is responsivity at specific wavelength

