



-

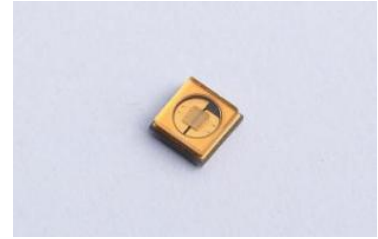
:

-

-3535 C

F :

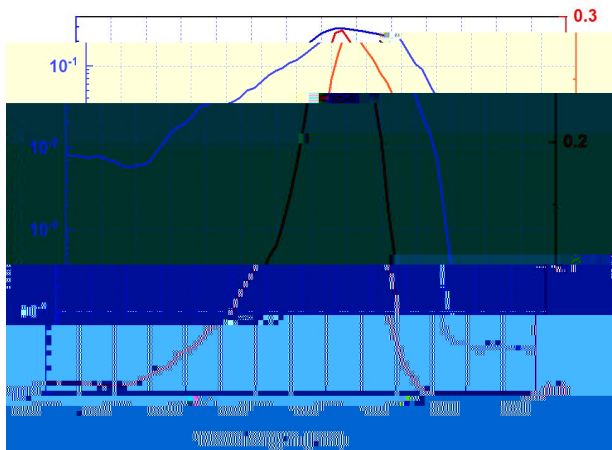
- 
- 
- 
- 



A :

:

(25 C)			
(25 C)			

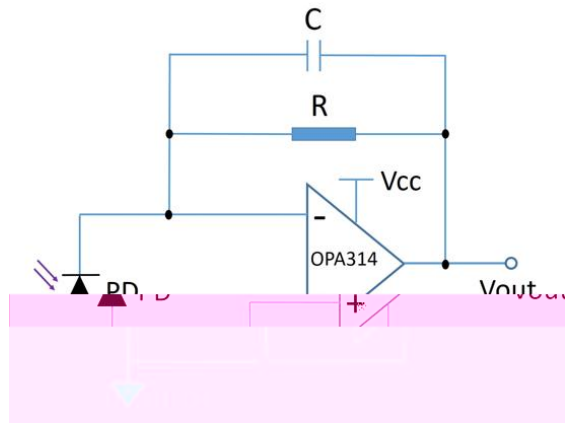


27.045

27.045



A



$$V_{out}(V) = I_{ph}(A) \times R(\Omega)$$

$$I_{ph}(A) = R_{\lambda}(A/W) \times A(\text{cm}^2) \times P(W/\text{cm}^2)$$

where A is chip area,  $\Phi$  is UV power density and  $R_{\lambda}$  is responsivity at specific wavelength

E

