

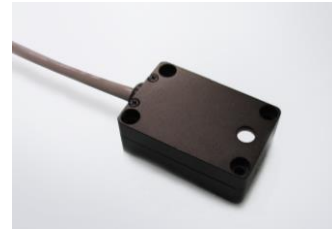


UV Sensor Probe

Model: AP-UVx-2y

General features:

- Compact package with sapphire window
- Single power supply
- Analog 0-5 V or 4-20 mA output
- High sensitivity and proved reliability



Applications: Radiant intensity measurement for UV curing, UV sterilization monitoring

Specifications:

General parameters				
Dimensions	Window diameter (mm)	Weight (g)	Case material	
See drawing below	5	85	Al	
Parameters	Symbol	Value	Unit	Remark
Maximum ratings				
Operation temperature	T_{op}	-20-85	°C	
Storage temperature	T_{sp}	-30-95	°C	
Electro-optical characteristics (25 °C)				
Supply voltage	V_{cc}	7-24	V	DC
Output signal	I_{out}	4-20	mA	2 wire circuit (AP-UVx-21)
				3 wire circuit (AP-UVx-22)
	V_{out}	0-5	V	3 wire circuit (AP-UVx-23)
Detection wavelength range ¹		220-290	nm	AP-UVC-2y
		220-325		AP-UVB-2y
		220-370		AP-UVA-2y
		290-440		AP-UVV-2y
UV power intensity measurement range	P	0-200	mW/cm ²	See other options ²
Connection				
Cable length ³	2 m			

¹ UVA, UVB, UVC, UVV and full UV band are all available upon request.

² UV power intensity measurement range: 0-200 mW/cm² (standard), 0-1 W/cm² (option).

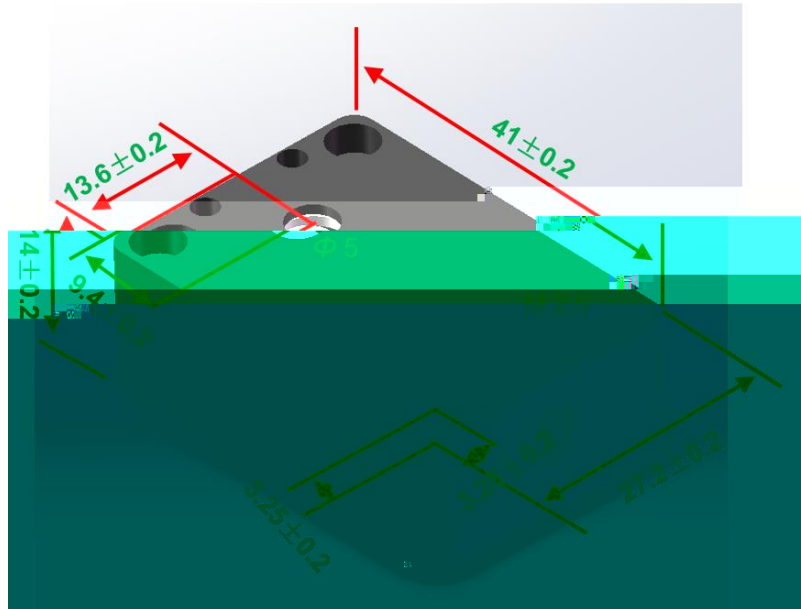
³ Cable length can be customized upon request.



UV Sensor Probe

Model: AP-UVx-2y

Drawing (unit: mm)



Touchscreen UV radiometer (optional)

- Fully compatible with all GaNo Opto s UV sensor probes
- Real time display of UV power density, UV source accumulated service time and UV source output efficiency
- System settings for UV output calibration, timer reset, operation status cartoon, threshold of failure alarm and initial 100% output efficiency normalization
- One channel input and 24 V power supply
- Customized Chinese and English versions



Lite-edition UV radiometer (optional)

- Fully compatible with all GaNo Opto s UV sensor probes
- 5 digital real time display of UV power density
- Pre-calibration or re-calibration for specific UV light source upon request
- Optional RS-485 or relay output
- One channel input and 9-24 V power supply

